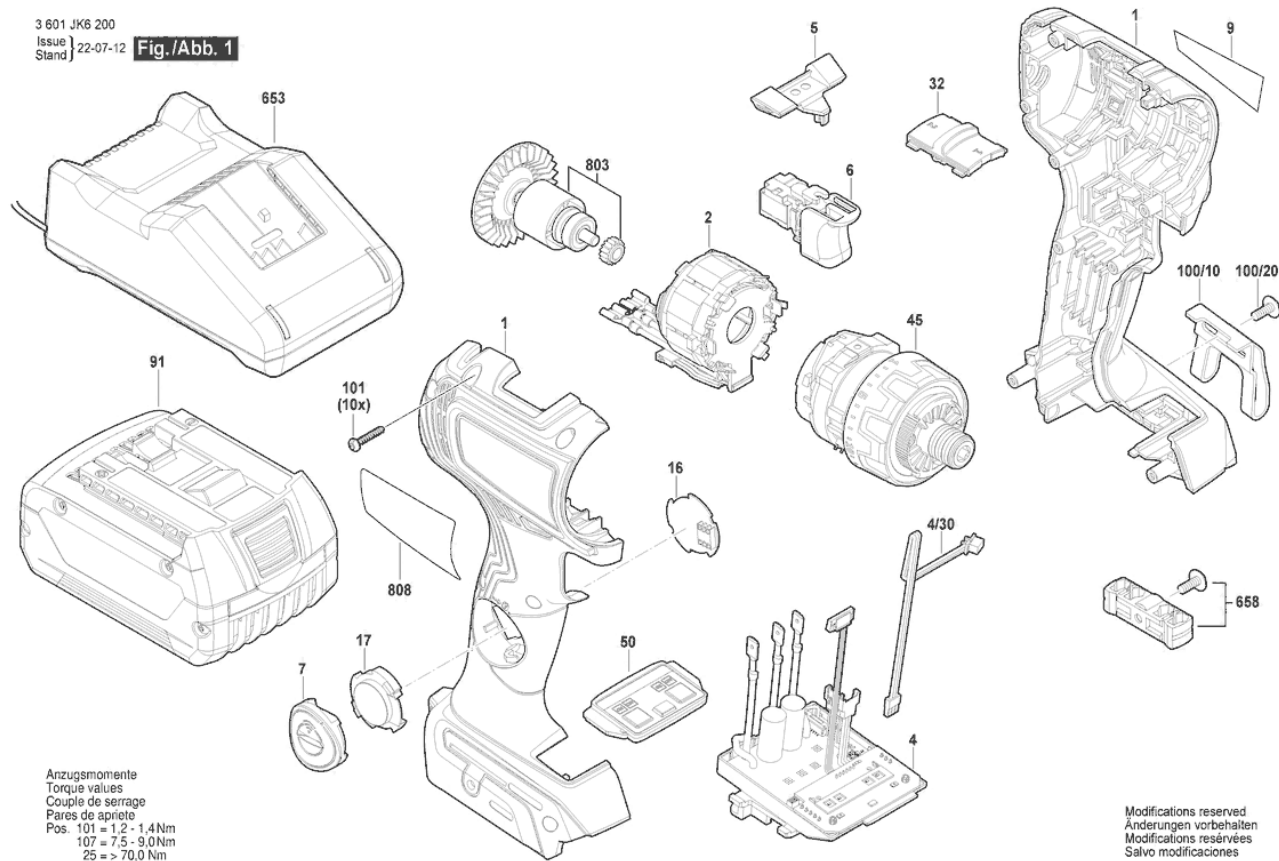


Illustration - Type - E

3 601 JK6 200  
 Issue | 22-07-12  
 Stand | **Fig./Abb. 1**



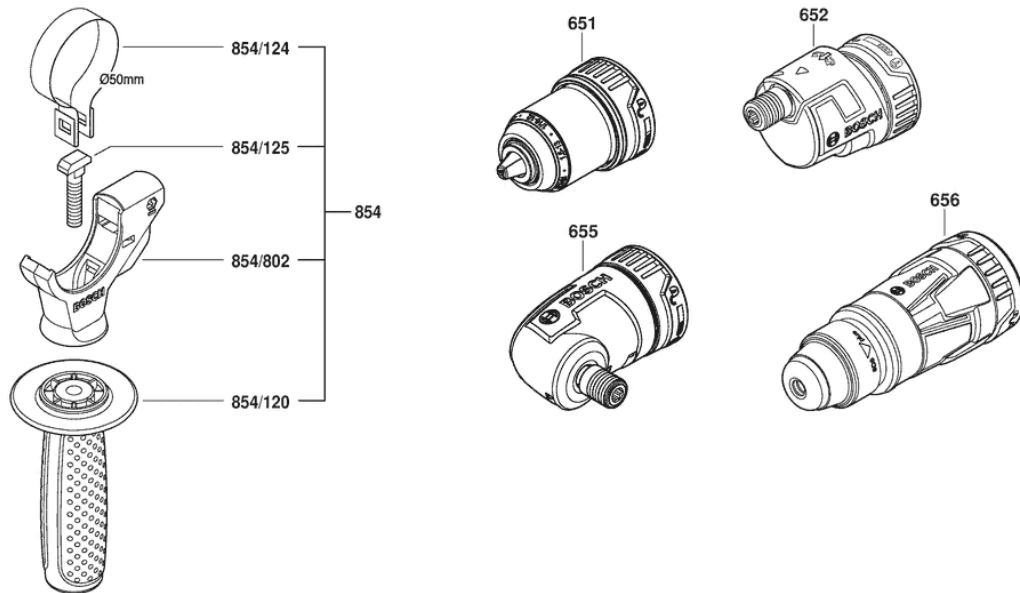
Anzugsmomente  
 Torque values  
 Couple de serrage  
 Pares de apriete  
 Pos. 101 = 1,2 - 1,4Nm  
 107 = 7,5 - 9,0Nm  
 25 => >70,0 Nm

Modifications reserved  
 Änderungen vorbehalten  
 Modifications réservées  
 Salvo modificaciones

Illustration - Type - E

3 601 JK6 200  
Issue | 24-05-07  
Stand |

Fig./Abb. 2



Änderungen vorbehalten  
Modifications reserved  
Modificaciones reservadas  
Salvo modificaciones

## Spare parts list

Item	Part Number	Description	Illustration
1	1 600 A01 V6W	Housing	1
2	1 600 A01 W0T	Stator	1
4	1 607 233 5JS	Electronics Module	1
4/30	1 607 504 124	Printed-Board Assembly	1
5	1 600 A02 3EE	Changeover Lever	1
6	2 607 202 904	Switch	1
7	1 600 A02 5PZ	Cover unit	1
9	1 601 11C 4MH	Manufacturer's nameplate	1
16	1 600 A01 6CZ	Electronics Module	1
17	1 600 A02 KY7	Cover Panel	1
32	1 600 A02 477	Switchover Unit	1
45	1 600 A00 J5S	Gear Box	1
50	1 600 A02 5W9	Separator	1
91	1 607 A35 0MA	Battery Pack    GBA 18V 2.0AH	1
91	2 607 337 085	Battery Pack	1
100/10	2 609 111 584	Clip	1
100/20	2 609 110 834	Screw	1
101	2 609 110 353	Torx Oval-Head Screw	1
653	2 607 226 251	Fast Charger	1
653	2 607 226 263	Fast Charger    ROK GAL 18V-40	1
658	2 609 199 748	Bit holder	1
803	1 600 A02 9PG	Rotor	1
808	1 601 11A 90Y	Nameplate	1
651	1 600 A00 ZS9	Chuck attachment	2
652	2 609 199 636	Eccentric attachment	2
655	1 600 A00 RR2	Right-angle attachment	2
656	2 609 199 816	Attachment	2
854	1 602 025 08X	Auxiliary Handle	2
854/120	1 602 025 07H	Auxiliary Handle	2
854/124	1 611 316 021	Clamping Band    Ø50 MM	2
854/125	1 613 490 002	T-Head Bolt    M8X40 MM	2
854/802	1 617 000 475	Support clamp	2